

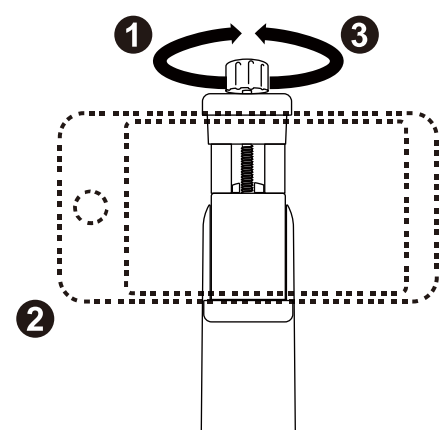
ikross

Flexible Tripod with Rubber Wrapped Lags

- IKHD76
- IKHD76-B

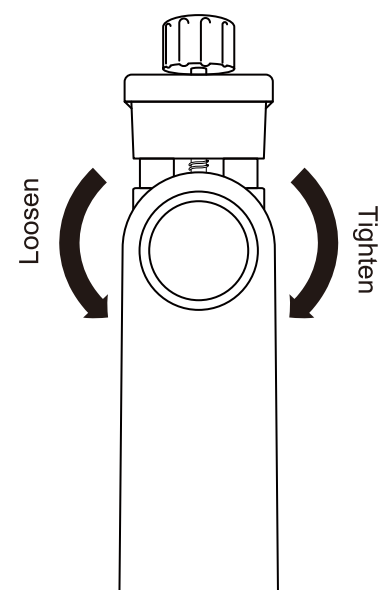
Phone Holder Installation

MAX Width of Phone : 10.5 cm

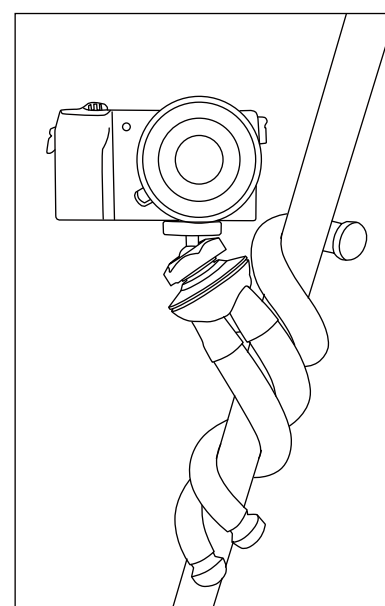


- Turn top knob counter-clockwise to release the holder.
- Put your phone into the holder.
- Turn top knob clockwise to secure.

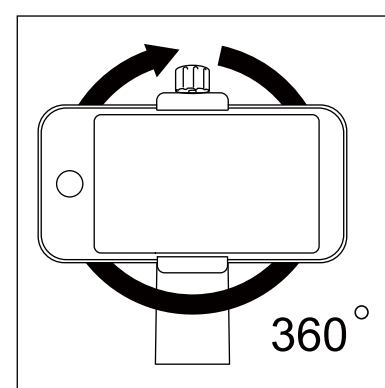
Vertical/Horizontal Adjustment



- Loosen back knob then you can rotate your device as your need.
- Tighten back knob to secure.



Flexible lags can be curved randomly, which have advantages when using on slope and circular tube.

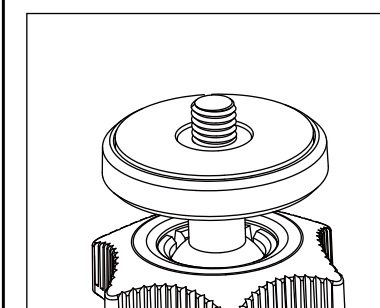


The included phone holder let you rotate your phone into portrait mode (vertical) or landscape mode (horizontal) without adjusting the tripod.

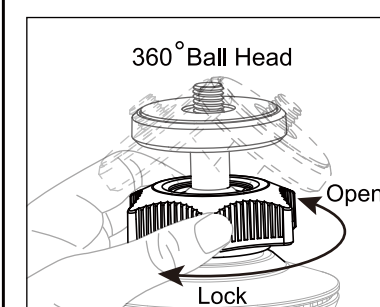
ikross

Flexible Tripod with Rubber Wrapped Lags

- IKHD76
- IKHD76-B



1/4 universal camera screw



The angle of ball head can be adjusted by rotating the locking knob, making camera and phone to shoot without dead angle.



* Adapter for Sport Camera (ex.Gopro) is NOT included