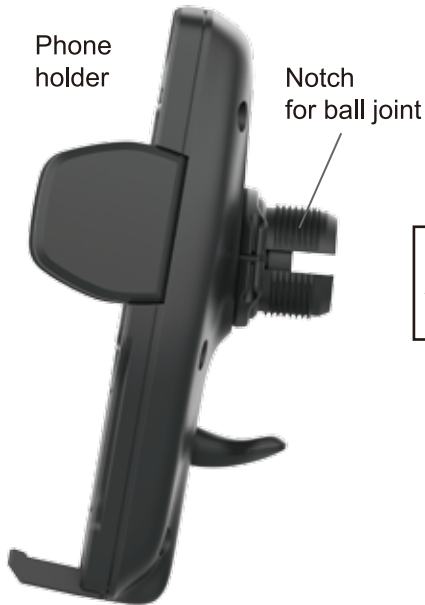


MOUNT



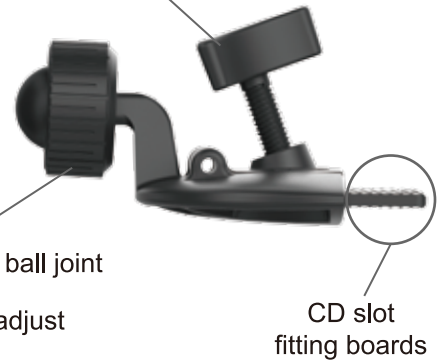
Assembly of phone holder & CD slot mount

1. Have the ball joint pass through the nut.
2. Place the ball joint into the notch.
3. Turn the nut clockwise to secure.


 Loosen to remove

 Turn right to fit

Screw to expand fitting boards

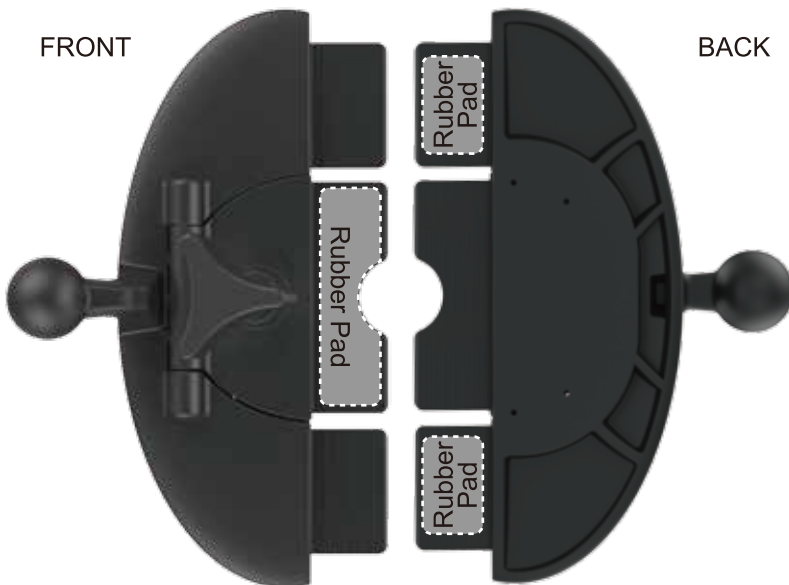


 Loosen to adjust

 Turn right to secure

FRONT

BACK



Rubber Pads with 3M adhesive tape

You can stick the included rubber pads onto CD slot fitting boards for larger CD slot or better grip.

Mount Installation

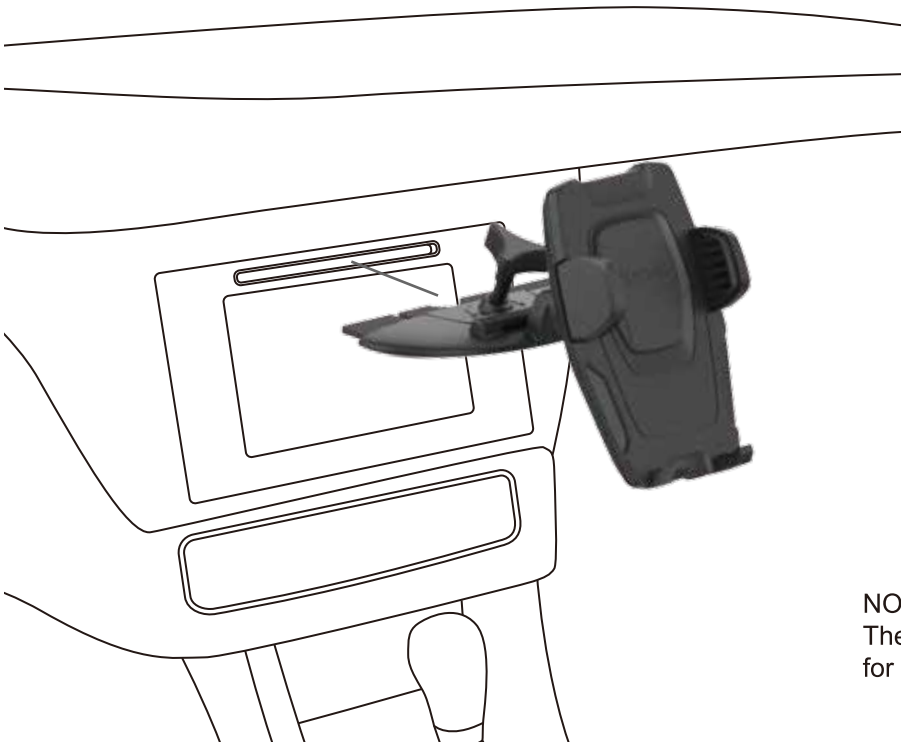
- Place fitting boards into CD slot.
- Turn the fitting screw clockwise to expand fitting boards for securing in the CD slot.

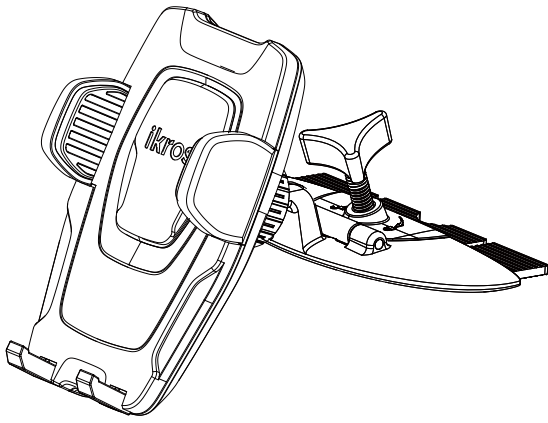
*DO NOT over-expand the fitting boards as it may damage the CD slot.



NOTE :

The mount can also be installed upside-down for your need. (ex. not to block your air vent)





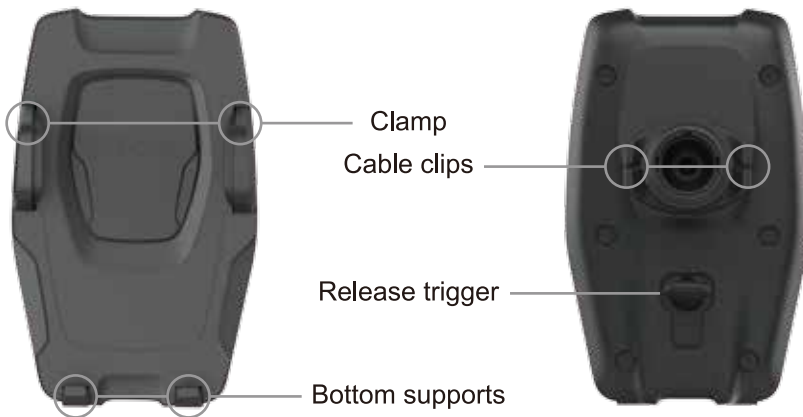
ikross

ikross

Car CD Slot Mount
Holder for Smartphone

USER'S MANUAL IKHD78

HOLDER



Cable Clips

Use cable clips to hold the charging cable. No more hassle searching for your cable.



Auto Lock



-Place your phone onto the holder and touch the bottom supports slightly.
-The clamp will automatically retract to hold your phone.

Quick Release



Pull down the release trigger to release the clamp.