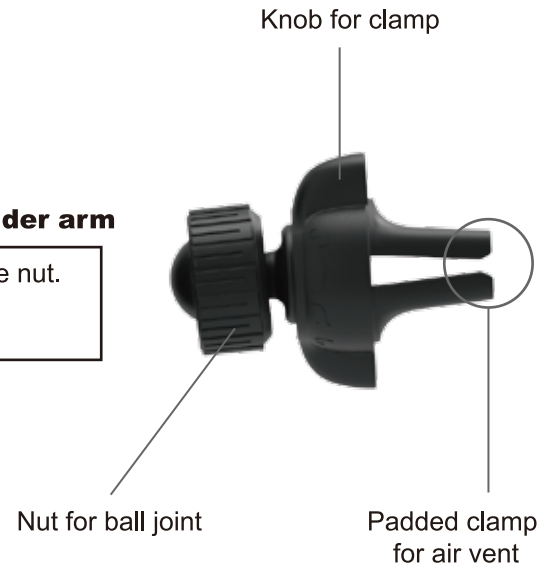


- Loosen to release
- Turn right to secure

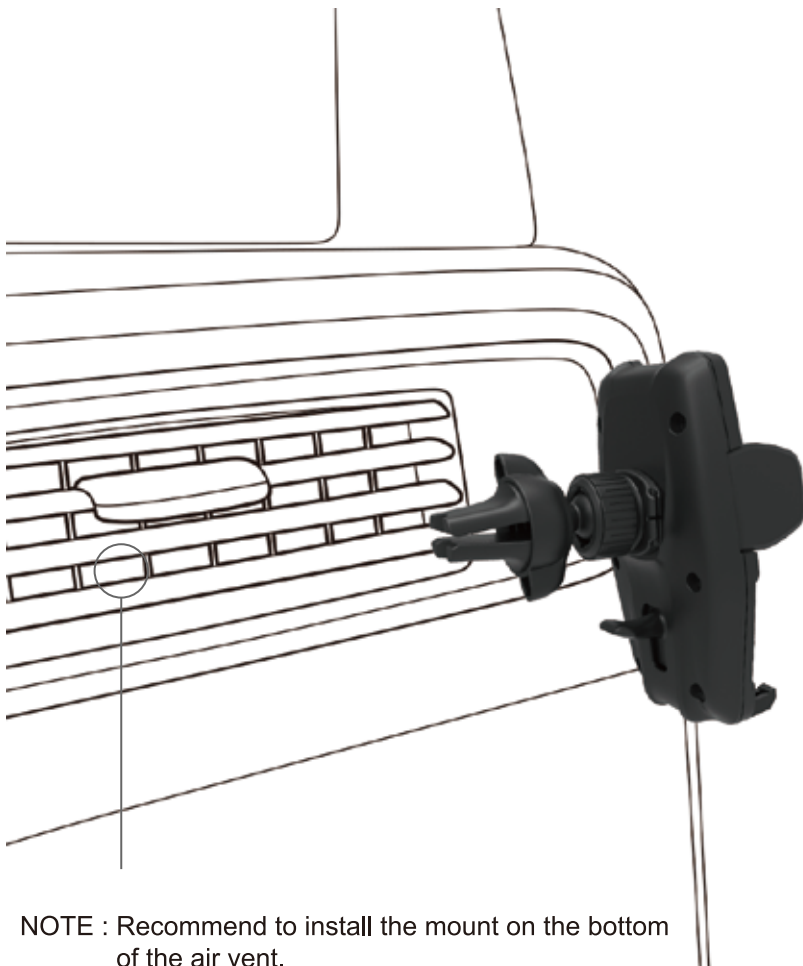


Assembly of phone holder & holder arm

1. Have the ball joint pass through the nut.
2. Place the ball joint into the notch.
3. Turn the nut clockwise to secure.



- Loosen to adjust/release
- Turn right to secure

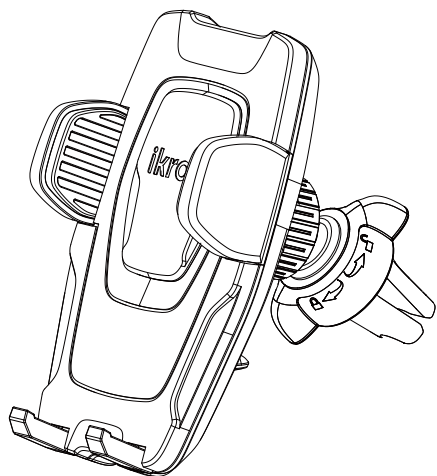


Mount Installation

- Unscrew the knob to release the clamp.
- Screw back to hold securely on air vent.

* To avoid the air vent from snapping, it is recommended to adjust the angle of the ball joint before installing onto the air vent.

NOTE : Recommend to install the mount on the bottom of the air vent.



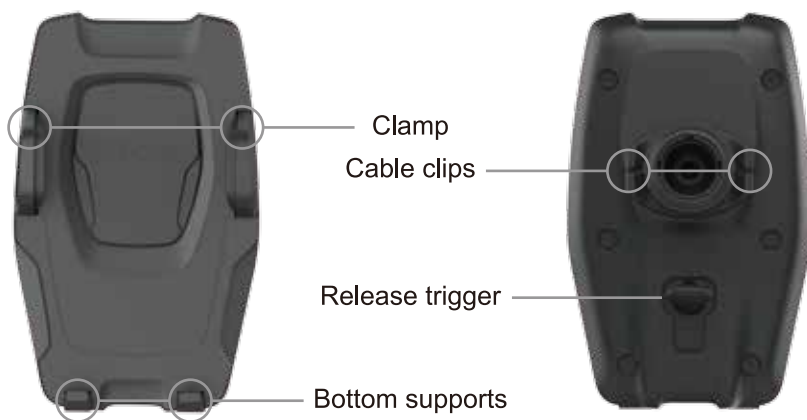
ikross

ikross

Car Air Vent Mount
Holder for Smartphone

USER'S MANUAL IKHD79

HOLDER



Cable Clips

Use cable clips to hold the charging cable. No more hassle searching for your cable.



Auto Lock



-Place your phone onto the holder and touch the bottom supports slightly.
-The clamp will automatically retract to hold your device.

Quick Release



Pull down the release trigger to release the clamp